



Let's grow together 

## CQD16NRVF/CQD16NRV/CQD16RVF CQD16RV/CQD20RVF/CQD20RV Electric Sit-down Reach Truck 1.6/2.0t

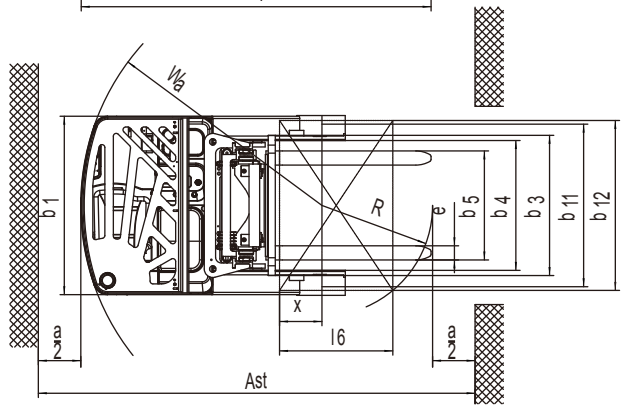
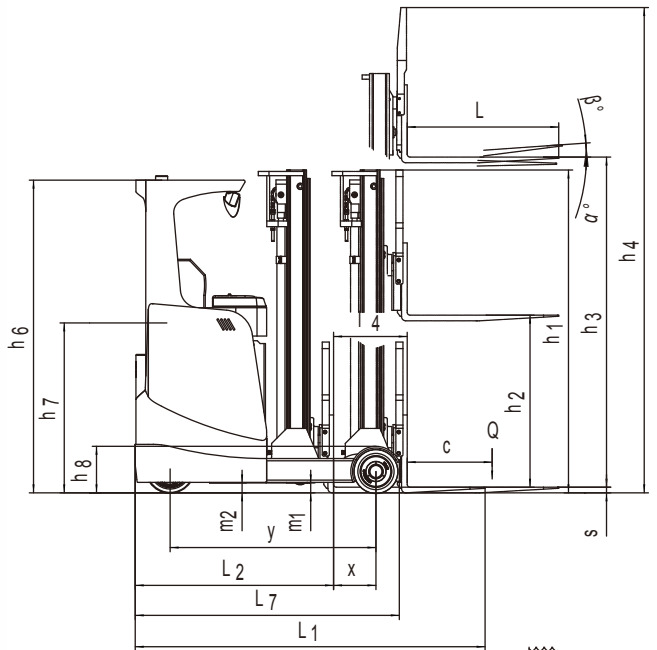
- Up to 11M Stacking Height Makes It Possible to Carry Out Order Picking at High Position with Great Intensity;
- International Quality Components;
- Ergonomics Design, Comfortable and Efficient

**EP EQUIPMENT CO.,LTD**  
[www.ep-ep.com](http://www.ep-ep.com)

# Electric Reach Truck

## CQD16NRVF/CQD16NRV/CQD16RVF CQD16RV/CQD20RVF/CQD20RV

Distinguishing mark						
1.1	Manufacturer	EP				
1.2	Model designation	CQD16NRVF	CQD16NRV	CQD16RVF	CQD16RV	CQD20RVF CQD20RV
1.3	Drive unit	Battery				
1.4	Operator type	Seated				
1.5	rated capacity	Q	t	1.6		2
1.6	Load center distance	c	mm	600		
1.9	Wheelbase	y	mm	1454	1454 <sup>①</sup>	1524 <sup>①</sup>
Weight						
2.1	Service weight (include battery)	kg		3070 <sup>②</sup>	2940 <sup>②</sup>	2945 <sup>②</sup>
2.2	Axle loading, fork advanced, unladen driving side/loading side	kg		1700/1310		
2.3	Axle loading, fork retracted, unladen driving side/loading side	kg		1990/1020		
2.4	Axle loading, fork advanced, laden driving side/loading side	kg		820/3820		
2.5	Axle loading, fork retracted, laden driving side/loading side	kg		1640/3000		
Types,Chassis						
3.1	Tyre type driving wheels/loading wheels	Polyurethane				
3.2	Tyre size, driving wheels (diameter×width)	mm		343×140		
3.3	Tyre size, loading wheels (diameter×width)	mm		310×96	310×118 <sup>①a</sup>	
3.4	Tyre size, caster wheels (diameter×width)	mm		/	/ <sup>①b</sup>	
3.5	Wheels, number driving, caster/loading (x=drive wheels)			1x, 2	1x, 2 <sup>①b</sup>	
3.6	Track width, front,driving wheels	b <sub>10</sub>	mm	0		
3.7	Track width,rear,loading wheels	b <sub>11</sub>	mm	1106	1148 <sup>①a</sup>	
Dimensions						
4.1	Tilt of mast/fork carriage forward/backward	α/ β	°	2/4		
4.2	Height, mast lowered	h <sub>1</sub>	mm	2130 <sup>③</sup>		
4.3	Free lift (load backrest)	h <sub>2</sub>	mm	120 <sup>③</sup>		
4.4	Lift height	h <sub>3</sub>	mm	3000 <sup>③</sup>		
4.5	Height, mast extended	h <sub>4</sub>	mm	4065 <sup>③</sup>		
4.7	Height of overhead guard (cabin)	h <sub>6</sub>	mm	2210		
4.8	Seat height/standing height	h <sub>7</sub>	mm	1200		
4.10	Height of wheel arms	h <sub>8</sub> (mm)	mm	330		
4.19	Overall length (minimum)	l <sub>1</sub>	mm	2502 <sup>①</sup>	2470 <sup>①</sup>	
4.20	Length to face of forks	l <sub>2</sub>	mm	1432 <sup>①</sup>	1400 <sup>①</sup>	
4.21	Overall width	b <sub>1</sub> / b <sub>2</sub>	mm	1192/1202	1260/1270 <sup>①a</sup>	
4.22	Fork dimensions	s/ e/ l	mm	40×100×1070		40×120×1070
4.23	Fork carriage class/type A, B	mm		A		
4.24	Fork carriage width	b <sub>3</sub>	mm	990		
4.25	Distance between fork-arms	b <sub>5</sub>	mm	200/770		240/740
4.26	Distance between wheel arms/loading surfaces	b <sub>4</sub>	mm	899	915	
4.28	Reach distance	l <sub>4</sub>	mm	475 <sup>①</sup>	520 <sup>①</sup>	
4.31	Ground clearance, laden, below mast	m <sub>1</sub>	mm	70		
4.32	Ground clearance, center of wheelbase	m <sub>2</sub>	mm	70 <sup>②</sup>		
4.34.1	Aisle width for pallets 1000 × 1200 crossways	Ast	mm	2850 <sup>①</sup>	2827 <sup>①</sup>	2842 <sup>①</sup>
4.34.2	Aisle width for pallets 800 × 1200 lengthways	Ast	mm	2918 <sup>①</sup>	2891 <sup>①</sup>	2893 <sup>①</sup>
4.35	turning radius	Wa	mm	1705	1705 <sup>①</sup>	1770 <sup>①</sup>
4.37	Length across wheel arms (exclusive fork)	l <sub>7</sub>	mm	1865	1865 <sup>①</sup>	1935 <sup>①</sup>
Performance data						
5.1	Travel speed, laden/ unladen	km/ h		10/11	9/9.5	
5.2	Lifting speed, laden/ unladen	m/ s		0.34/0.45	0.28/0.42	
5.3	Lowering speed, laden/ unladen	m/ s		0.31/0.33	0.3/0.33	
5.4	Reaching speed, laden / unladen	m/ s		0.9/0.9		
5.8	Max. gradeability, laden/unladen	%		10/15		
5.10	Service brake type	Electromagnetic				
	Park brake type	Electromagnetic				
Electric-engine						
6.1	Drive motor rating S2 60 min	kW		6.4		
6.2	Lift motor rating at S3 15%	kW		11	11	13
6.3	The maximum allowed size battery	mm		1120×387×778	1220×355×778	1220×427×778
6.4	Battery voltage/nominal capacity K5	V/ Ah		48/500 <sup>④</sup>		
6.5	Battery weight	kg		820 <sup>④</sup>	925 <sup>④</sup>	925 <sup>④</sup>
Addition data						
8.1	Type of drive unit	AC				
10.5	Steering type	Electronic				
10.7	Sound pressure level at the driver's ear	dB (A)		75		



①Dimensions (mm)

with side shift	CQD16N					CQD16					CQD20				
Mast style	2-stage mast	3-stage mast	2-stage mast	3-stage mast	3-stage mast	2-stage mast	3-stage mast	3-stage mast	3-stage mast	3-stage mast	2-stage mast	3-stage mast	3-stage mast	3-stage mast	
Lift height(h <sub>3</sub> )	h <sub>3</sub> < 7m	h <sub>3</sub> ≤ 7.5m	h <sub>3</sub> < 7m	h <sub>3</sub> ≤ 7.5m	8m ≤ h <sub>3</sub> ≤ 9.5m	h <sub>3</sub> < 7m	h <sub>3</sub> ≤ 7.5m	8m ≤ h <sub>3</sub> ≤ 9.5m	10m ≤ h <sub>3</sub> ≤ 11m	h <sub>3</sub> < 7m	h <sub>3</sub> ≤ 7.5m	8m ≤ h <sub>3</sub> ≤ 9.5m	10m ≤ h <sub>3</sub> ≤ 11m		
Battery capacity	≤600Ah										700Ah 750Ah				
Wheelbase	y	1454	1454	1454	1454	1524	1524	1524	1594	1594	1524	1524	1594	1594	
Overall length (minimum)	l <sub>1</sub>	2502	2528	2472	2498	2503	2472	2498	2503	2507	2542	2568	2573	2577	
Length to face of forks	l <sub>2</sub>	1432	1458	1402	1428	1433	1402	1428	1433	1437	1472	1498	1503	1507	
Reach distance	l <sub>4</sub>	475	450	520	495	555	585	560	625	625	515	490	555	555	
Aisle width for pallets 1000 × 1200 crossways	Ast	2850	2870	2827	2847	2864	2842	2860	2884	2886	2894	2913	2934	2937	
Aisle width for pallets 800 × 1200 lengthways	Ast	2918	2941	2891	2914	2921	2893	2917	2928	2932	2957	2980	2991	2995	
Aisle width for pallets 1000 × 1200 crossways	Ast	2961	2984	2932	2958	2967	2941	2963	2977	2981	3002	3024	3037	3041	
Aisle width for pallets 800 × 1200 lengthways	Ast	2705	2723	2686	2703	2728	2709	2725	2757	2760	2752	2769	2798	2800	
Turning radius	W <sub>a</sub>	1705					1770					1840			
Length across wheel arms (exclusive fork)	l <sub>7</sub>	1865					1935					2005			

② Service weight (include battery)

Mast height (mm)	Service weight (kg)		
	CQD16A	CQD16	CQD20
2-stage mast			
3000	3070	2940	2945
3300	3100	2970	2975
3640	3130	3000	3005
4000	3160	3030	3035
4300	3190	3060	3065
4520	3220	3090	3095
5000	3250	3120	3125
5480	3280	3150	3155
6000	3310	3180	3185
3-stage mast			
4050	3270	3240	3245
4500	3320	3290	3295
5000	3370	3340	3345
5500	3420	3390	3395
6000	3470	3440	3445
6500	3520	3490	3495
7000	-	3540	3545
7500	-	3590	3595
8000	-	3870	3875
8500	-	3925	3930
9000	-	3980	3985
9500	-	4035	4040
10000	-	-	4570
10500	-	-	4630
11000	-	-	4690

③Mast

CQD16N 2-stage mast

Lift height	Lowered mast height	Free lift	Extended mast height	
h3	h1	h2	h4	h4(*)
2700	1980	120	3765	3280
3000	2130	120	4065	3580
3300	2280	120	4365	3880
3640	2450	120	4705	4220
4000	2630	120	5065	4580
4300	2780	120	5365	4880
4520	2960	160	5585	5140
5000	3200	160	6065	5620
5480	3460	160	6545	6120
6000	3720	160	7065	6640

note: (\*) for without backrest

CQD16N 3-stage mast (≤6500mm) :

Lift height	Lowered mast height	Free lift	Extended mast height		
h3	h1	h2	h2(*)	h4	h4(*)
4050	1980	915	1350	5115	4680
4500	2130	1065	1500	5565	5130
5000	2280	1215	1700	6065	5580
5500	2450	1385	1860	6565	6090
6000	2630	1565	2000	7065	6630
6500	2780	1715	2200	7565	7080

note: (\*) for without backrest

CQD20 3-stage mast (≥10000mm)

Lift height	Lowered mast height	Free lift	Extended mast height		
h3	h1	h2	h2(*)	h4	h4(*)
10000	4160	3095	3560	11065	10585
10500	4330	3265	3740	11565	11090
11000	4490	3425	3875	12065	11590

note: (\*) for without backrest

CQD16-20 2-stage mast

Lift height	Lowered mast height	Free lift	Extended mast height	
h3	h1	h2	h4	h4(*)
2700	1980	120	3765	3280
3000	2130	120	4065	3580
3300	2280	120	4365	3880
3640	2450	120	4705	4220
4000	2630	120	5065	4580
4300	2780	120	5365	4880
4520	2960	160	5585	5140
5000	3200	160	6065	5620
5480	3460	160	6545	6120
6000	3720	160	7065	6640

note: (\*) for without backrest

CQD16-20 3-stage mast (≤7500mm) :

Lift height	Lowered mast height	Free lift	Extended mast height		
h3	h1	h2	h2(*)	h4	h4(*)
4050	1980	915	1350	5115	4680
4500	2130	1065	1500	5565	5130
5000	2280	1215	1700	6065	5580
5500	2450	1385	1860	6565	6090
6000	2630	1565	2000	7065	6630
6500	2780	1715	2200	7565	7080
7000	3050	1985	2440	8065	7610
7500	3220	2155	2640	8565	8120

note: (\*) for without backrest

CQD16-20 3-stage mast (8000mm ≤ h<sub>3</sub> ≤ 9500mm) :

Lift height	Lowered mast height	Free lift	Extended mast height		
h3	h1	h2	h2(*)	h4	h4(*)
8000	3390	2325	2800	9065	8590
8500	3610	2545	3020	9565	9090
9000	3370	2705	3150	10065	9590
9500	3940	2875	3340	10565	10090

note: (\*) for without backrest

- The parameters in the table are of the standard model. For more information please contact us.
- The parameters are subject to change without notice.

④ Battery

	CQD16A			CQD16			CQD20			
Capacity (Ah)	3HPzS 400	4HPzS 500	4HPzS 600	3HPzS 400	4HPzS 500	4HPzS 600	4HPzS 500	4HPzS 600	5HPzS 700	5HPzS 750
Battery weight (kg)	745	820	900	745	925	935	925	935	1115	1140

options	CQD16RVF	CQD16NRVF	CQD16RV	CQD16NRV	CQD20RVF	CQD20RV
High capacity battery	○400/600/700/775Ah	○400/600Ah	○400/600/700/775Ah	○400/600Ah	○400/600/700/775Ah	○400/600/700/775Ah
lateral battery change	●	●	●	●	●	●
Cold storage (Apply to -20℃)	●	●	●	●	●	●
Beeper	●	●	●	●	●	●
Height indicator	○	○	●	●	○	●
Camera	●	●	●	●	●	●
Fire extinguisher	●	●	●	●	●	●
Front wheel side guard plate	●	●	●	●	●	●
Special modification for Drive-in Racking	●	●	●	●	●	●
OPS system	●	●	●	●	●	●
Water auto-filling system	●	●	●	●	●	●

● options ○ Standard

- 1.The parameters in the table are the standard model, for more information please contact us.
- 2.The parameters are subject to change without notice.

RATED CAPACITIES GRAPH

